

DATE:

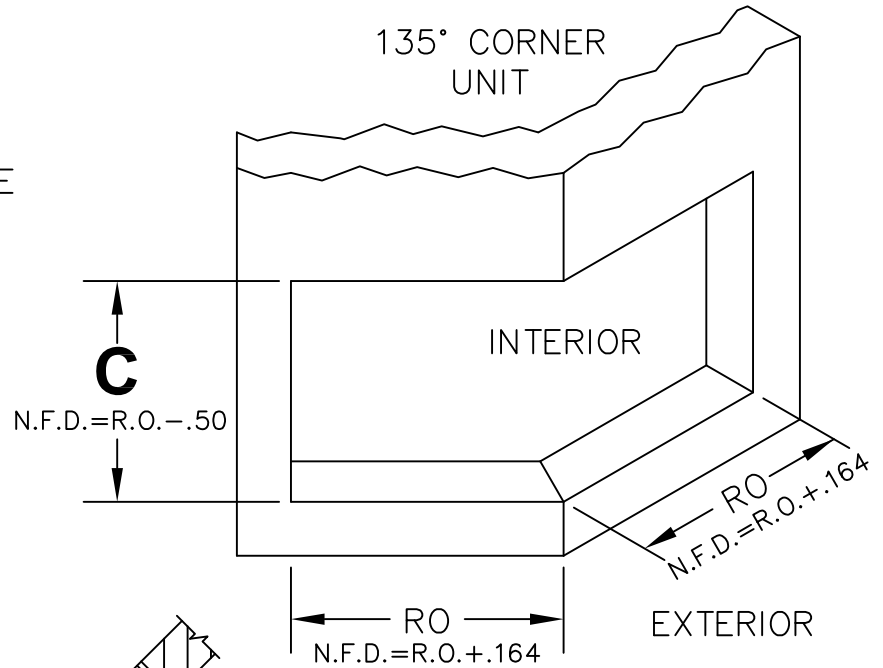
QUOTE#:

COMPANY:

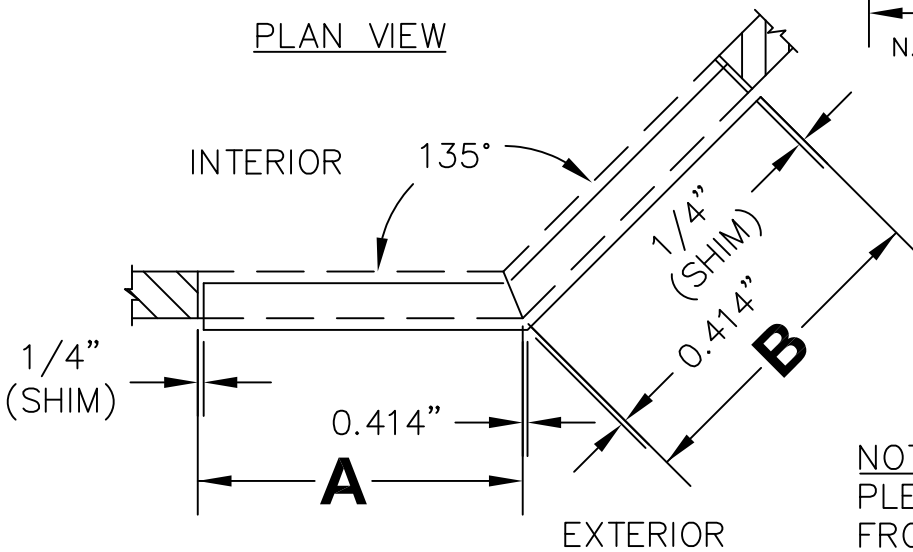
LINE#:

FORM INSTRUCTIONS:

ENTER THE (3) RO (ROUGH OPENING) DIMENSIONS IN THE TABLE AND CALCULATE REQUIRED N.F.D. BELOW. ENTER BUILDING EXTERIOR DIMENSIONS ONLY!



PLAN VIEW



NOTE:
PLEASE TAKE MEASUREMENTS FROM THE BUILDING EXTERIOR.

DIM. REF.	CUSTOMER R.O.		*DEDUCT		FLEETWOOD N.F.D.
A		+	.164	=	
B		+	.164	=	
C		-	.50	=	

*DEDUCT INCLUDES SHIM SPACE