

DATE:

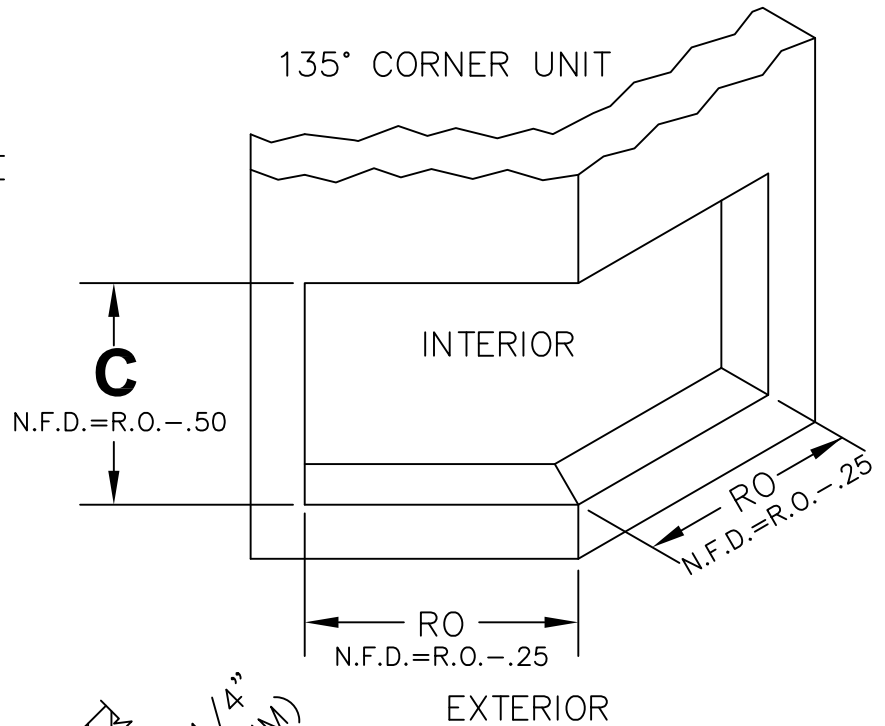
QUOTE#:

COMPANY:

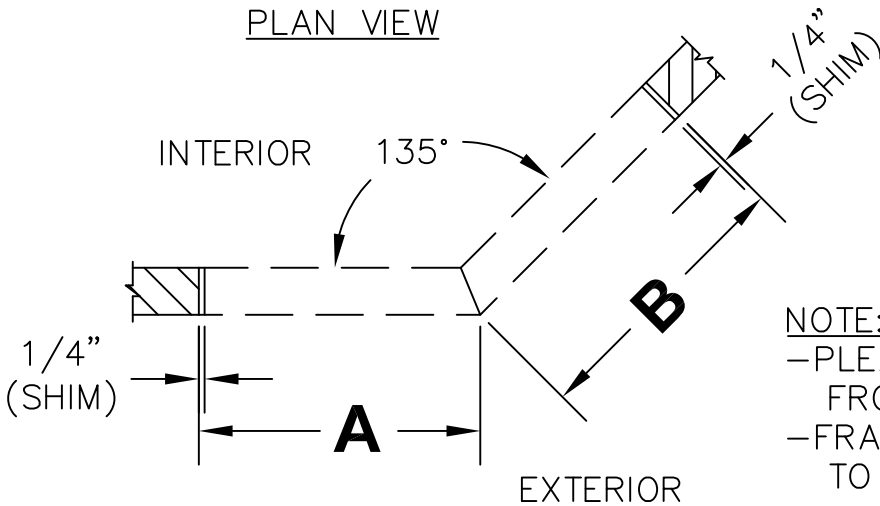
LINE#:

FORM INSTRUCTIONS:

ENTER THE (3) RO (ROUGH OPENING) DIMENSIONS IN THE TABLE AND CALCULATE REQUIRED N.F.D. BELOW. ENTER BUILDING EXTERIOR DIMENSIONS ONLY!



PLAN VIEW



**NOTE:**  
 -PLEASE TAKE MEASUREMENTS FROM THE BUILDING EXTERIOR.  
 -FRAME TO BE INSTALLED FLUSH TO EXTERIOR LINE.

DIM. REF.	CUSTOMER R.O.	DEDUCT	FLEETWOOD N.F.D.
<b>A</b>		-.25	=
<b>B</b>		-.25	=
<b>C</b>		-.50	=