

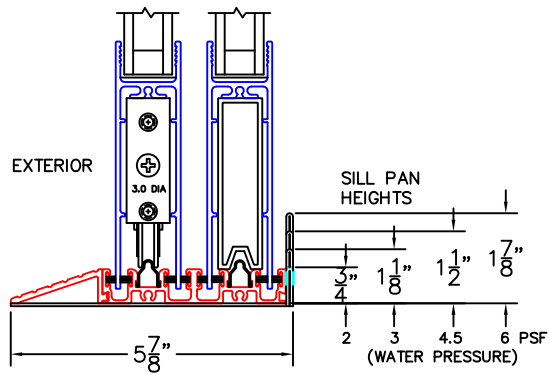
(USE RULER TO SCALE DIMENSIONS IN INCHES)

SCALE: 1/4

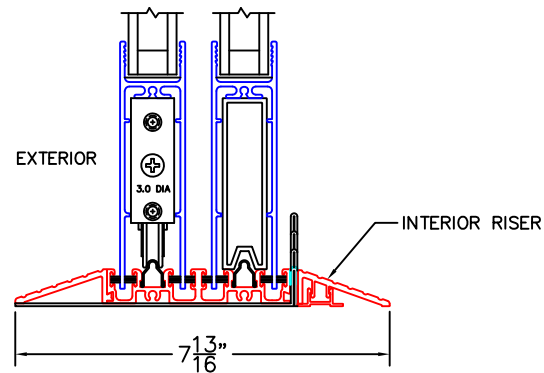
SILL OPTIONS

For Selection Purposes Only.
Samples shown with
non-thermally broken extrusions

EXTERIOR RISER
(STANDARD)



BOTH RISERS



NO RISER

