

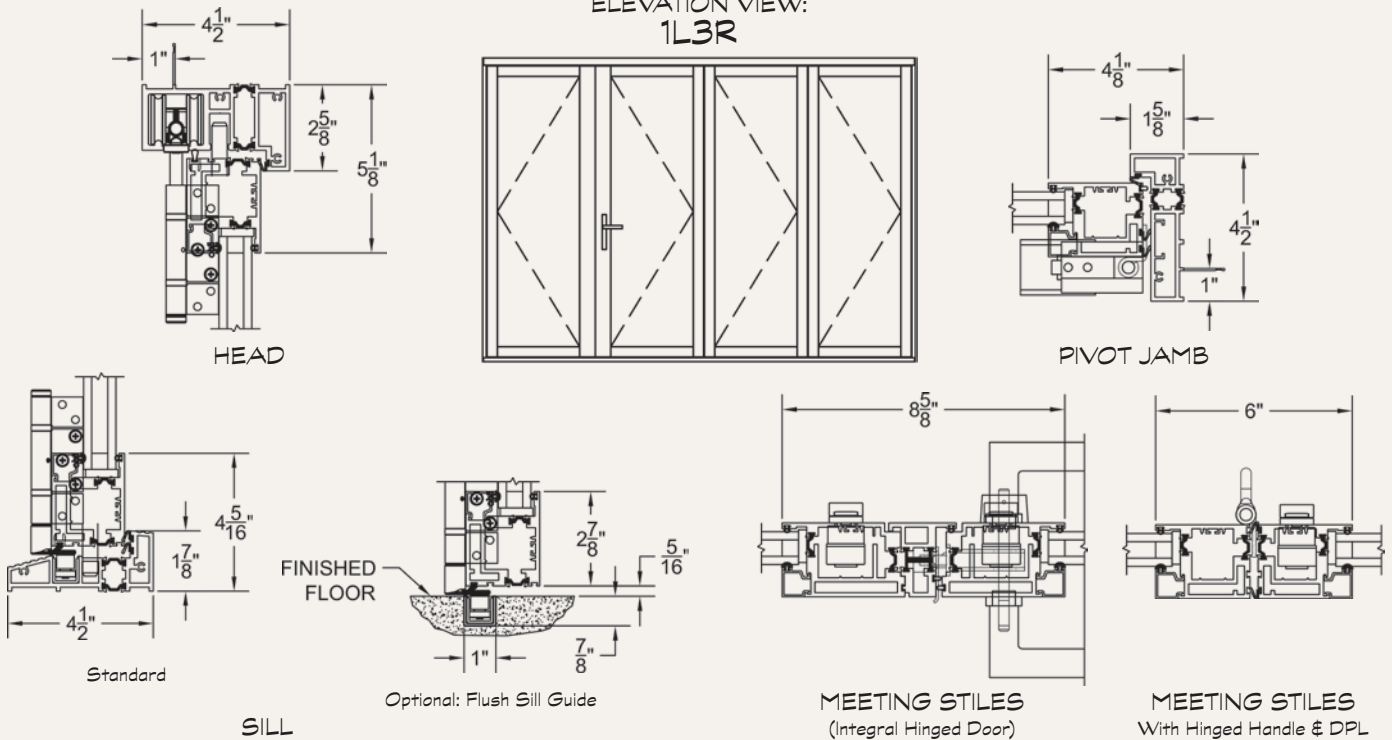
SERIES 3600-T

“THERMAL FRAME” FOLDING DOOR



TYPICAL CONFIGURATIONS	← MAX PANEL WIDTH	↑ MAX PANEL HEIGHT	☀ EXAMPLE SHGC	❄ EXAMPLE U-FACTOR
• 1L2R, 3L2R, 4L1R, 3L, 3R, 4L4R.	1'42"	1'144"	²NFRC: 0.18	³NFRC: 0.32

ELEVATION VIEW:
1L3R



¹Max width and height are not necessarily available in combination.
²Specimen size: Nom. 75' x 82'.





DESIGN NOTES

- Available up to 12' tall.
- Integral hinged door comes standard with FSB handle.



Stainless Steel DPL:

The Series 3600-T comes standard with a stainless steel Dual Point Lock (DPL) for each pair of folding door panels. It is also offered as an optional hardware selection on hinged doors in odd number panel configurations. Not only is the material durable, but it also offers a sleek, modern design. Each DPL throws two stainless steel shoot bolts in the respective tracks to offer high security.



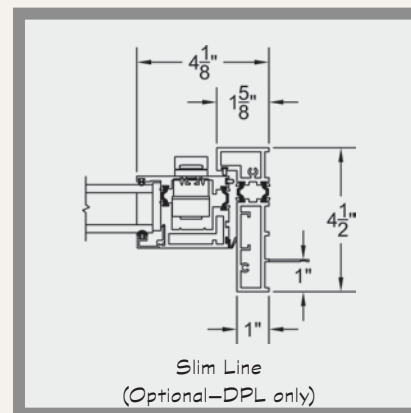
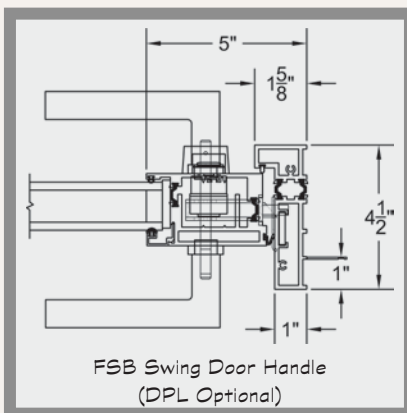
FSB Hardware:

When the 3600-T is configured with an integral hinged door (see elevation detail on page 23), the hardware quality should trump slimmer sightlines. Fleetwood chose FSB for style and exceptional stainless steel construction. Other products on the market boast of a smaller sightline but use plated zinc. If slim sightlines are driving the product choice, we recommend the Slim Line option (see below) or any of our sliding door products.



Carriers:

The 3600-T was designed to utilize Brio carriers for the most current folding door technology. Each intermediate panel has four high performance wheels with two side thrust precision bearings. These four wheels provide unparalleled stability, as well as smoother, quiet operation. Additionally, each wheel is concaved to improve tracking.



Slim Line Hinged Door:

For those desiring a folding door but wanting an integral hinged door with the thinnest possible sightlines, we offer the DPL option. This is only available on odd number panel configurations, and will result in the DPL not being accessible from the exterior.