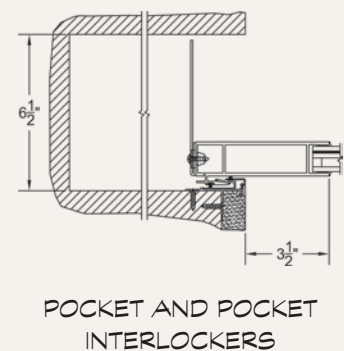
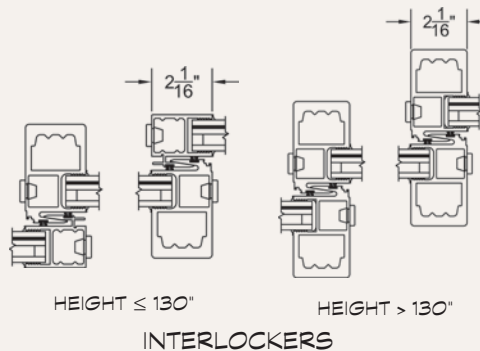
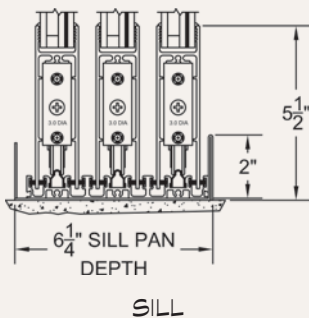
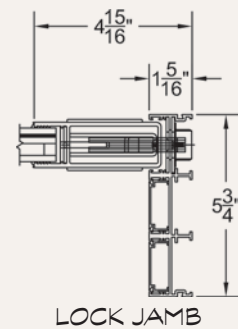
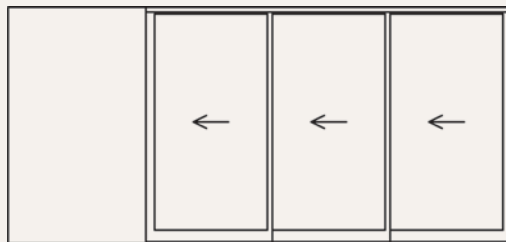
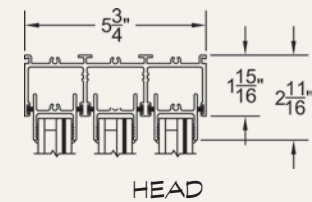




<p>TYPICAL CONFIGURATIONS</p> <ul style="list-style-type: none"> • Multi-Slide, Pocket and Corner (60°–135°) applications. • Any combination of O & X panels—no limit on the number of panels. 	<p>DESIGN PRESSURE</p> <p>+50.0/–55.0 PSF* thru +65.0/–75.0 PSF*</p>	<p>MAX PANEL WIDTH</p> <p>62"*</p>	<p>MAX FRAME HEIGHT</p> <p>144"*</p>
---	---	---	---

**ELEVATION VIEW:
PXXX CONFIGURATION**



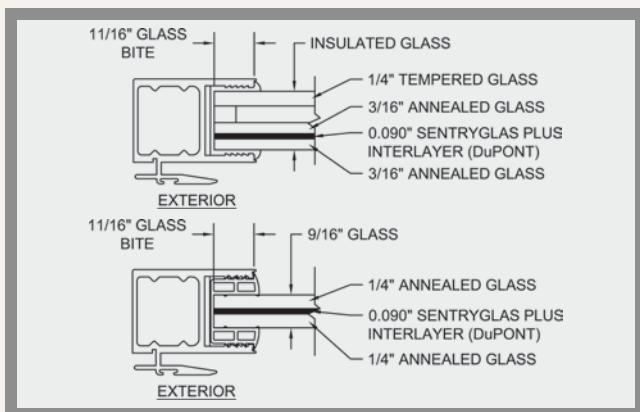
*Varies based on configuration and size.





DESIGN NOTES

- Huge sizes/thin sightlines.
- Easiest rolling door made.
- Weather rated.

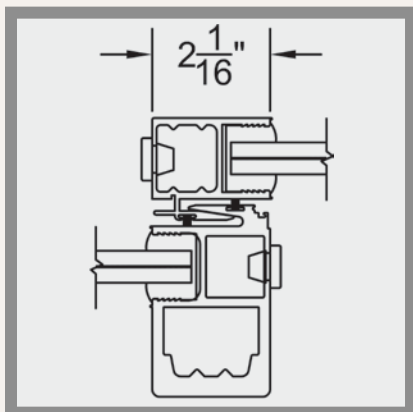


Glazing Type:

The Series 3070-HI was tested and certified using two primary glass types: a 9/16" monolithic laminated glass and an insulated laminated glass. Both glass types utilize a DuPont™ SentryGlas® Plus innerlayer and are dry glazed.

Archetype:

Our patented Archetype latching system is cast with 316 stainless steel and fits snug against the extrusion to prevent damage to other panels during operation. The stainless steel is then electro-polished for the best marine grade protection possible. The actuator is easy to operate and expels a large, laminated hook latch similar to commercial products. Additionally, the quality materials allow for post-sale custom finishing.



Narrow Interlockers:

Most impact rated sliding door products have a large vertical sightline at the interlockers. This of course is a negative aspect, especially if the homeowner has a beautiful view. Even though the 3070-HI performs mightily, it boasts a slender 2-1/8" dimension.



Rollers & Fillers:

Our Archetype roller uses an authentic precision bearing from Switzerland. Each bearing is carefully inserted into its 3" diameter stainless steel wheel, using American labor and strict quality control. These rollers provide for an operating force of only 1–3 lbs on panels weighing up to 350 lbs.

The Series 3070 comes standard with matching extrusions that fill unused cavities in the head, jamb and sill. These closers enhance the cosmetic beauty of the product but also serve the practical function of repelling sand, water, air and bugs.

